



Product Specification of BURY Speaker



Version History

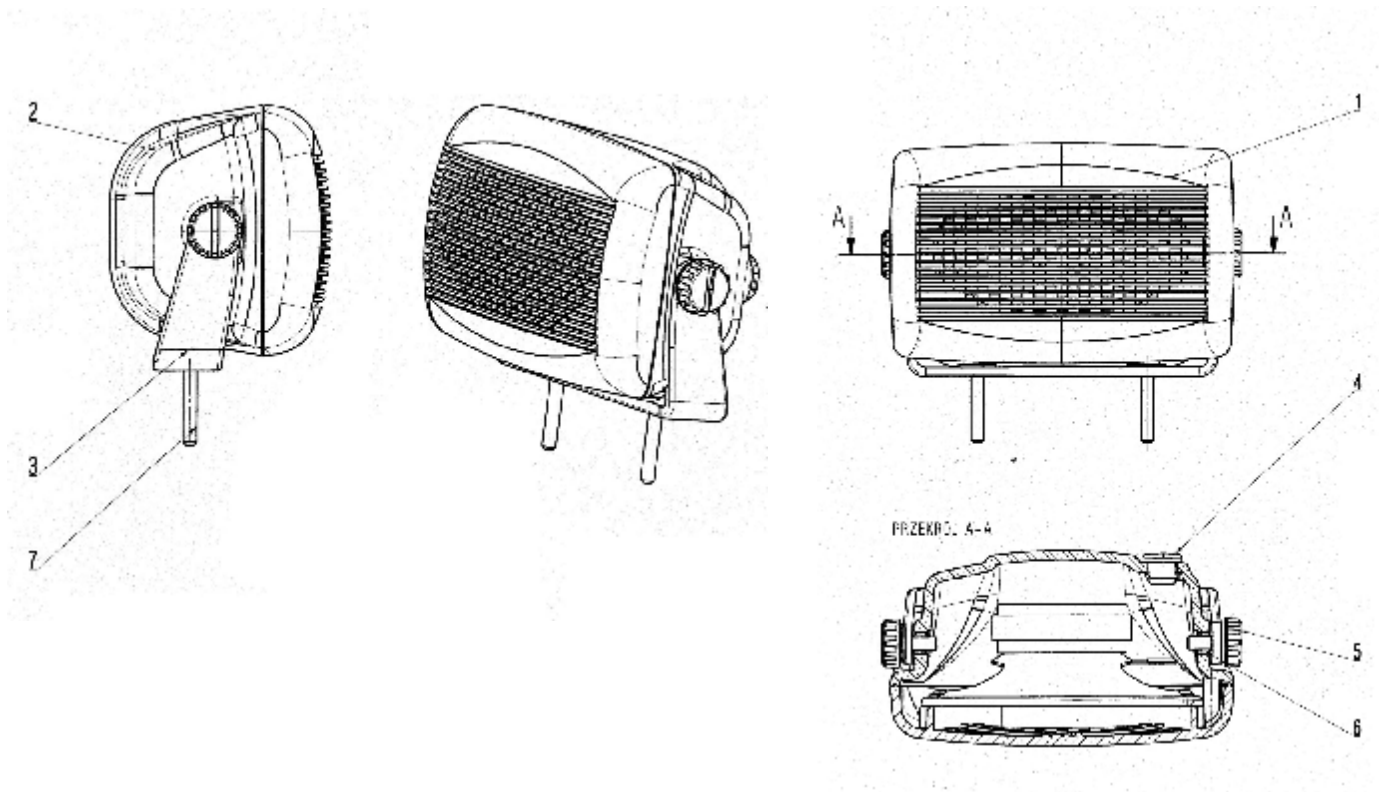
Rev.	Changes	Author/approved	Date
V0.1	Draft Version	R. Smolen	20.05.2006

1. TABLE OF CONTENTS:

TABLE OF CONTENTS

Version History.....	1
I. MECHANICAL SPECIFICATIONS.....	2
II. ELECTRICAL SPECIFICATIONS.....	5

I. MECHANICAL SPECIFICATIONS

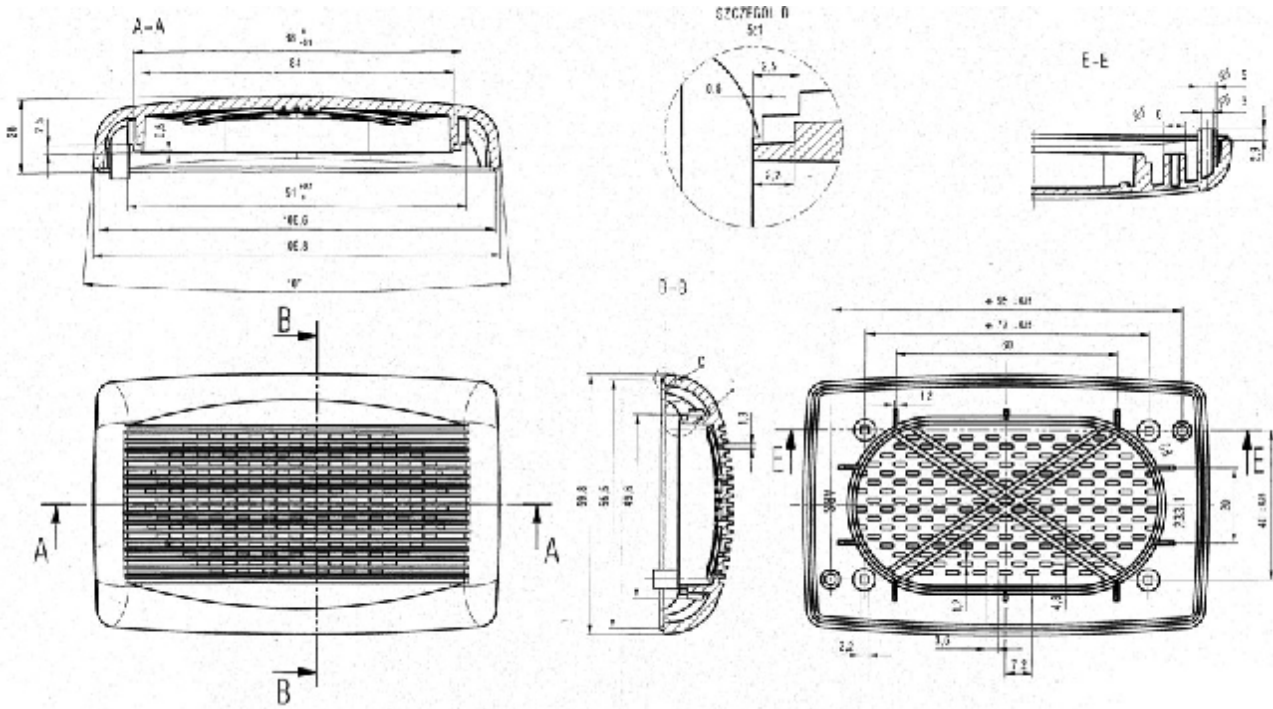


- 1 Front Cover
- 2. Back Cover
- 3. Holder

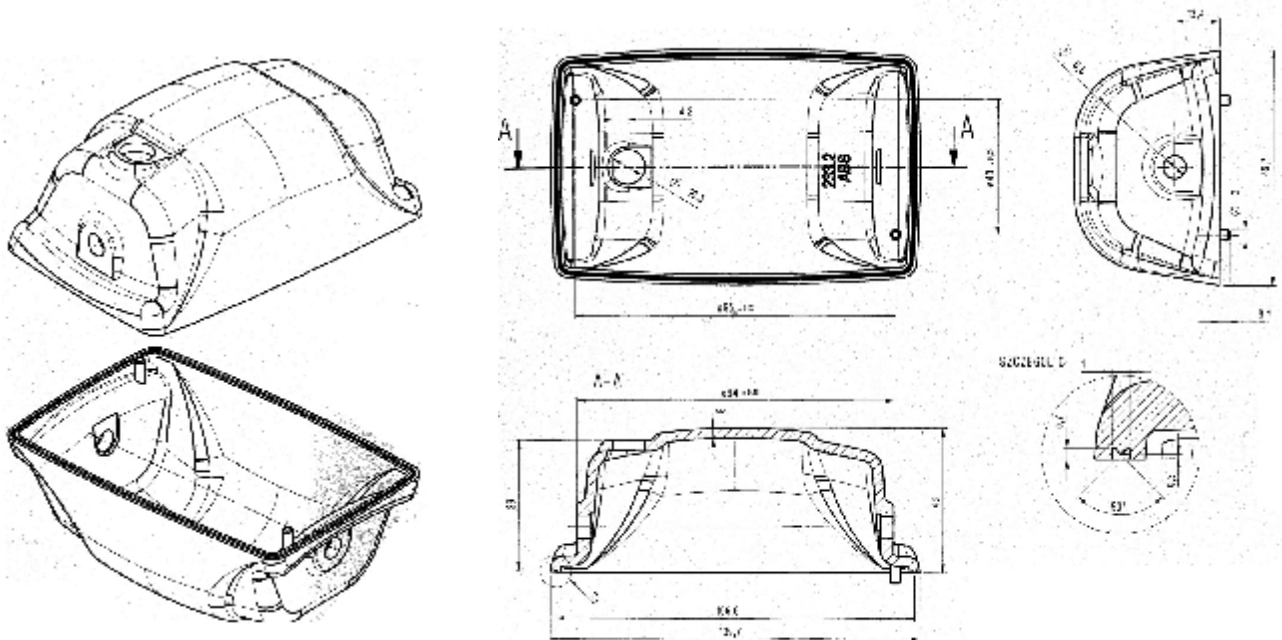
Product Specification

FB:F&E, Stand 09/2006, Rev.:01

1. Front Cover



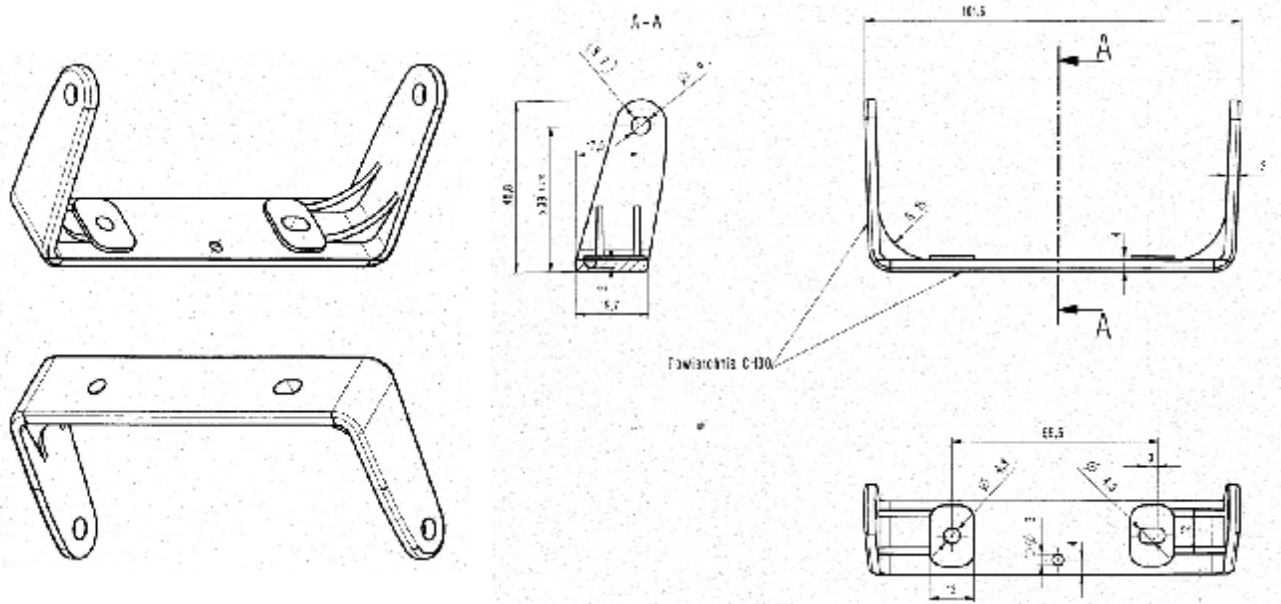
2. Back Cover



Product Specification

FB:F&E, Stand 09/2006, Rev.:01

3. Holder



4. Cable

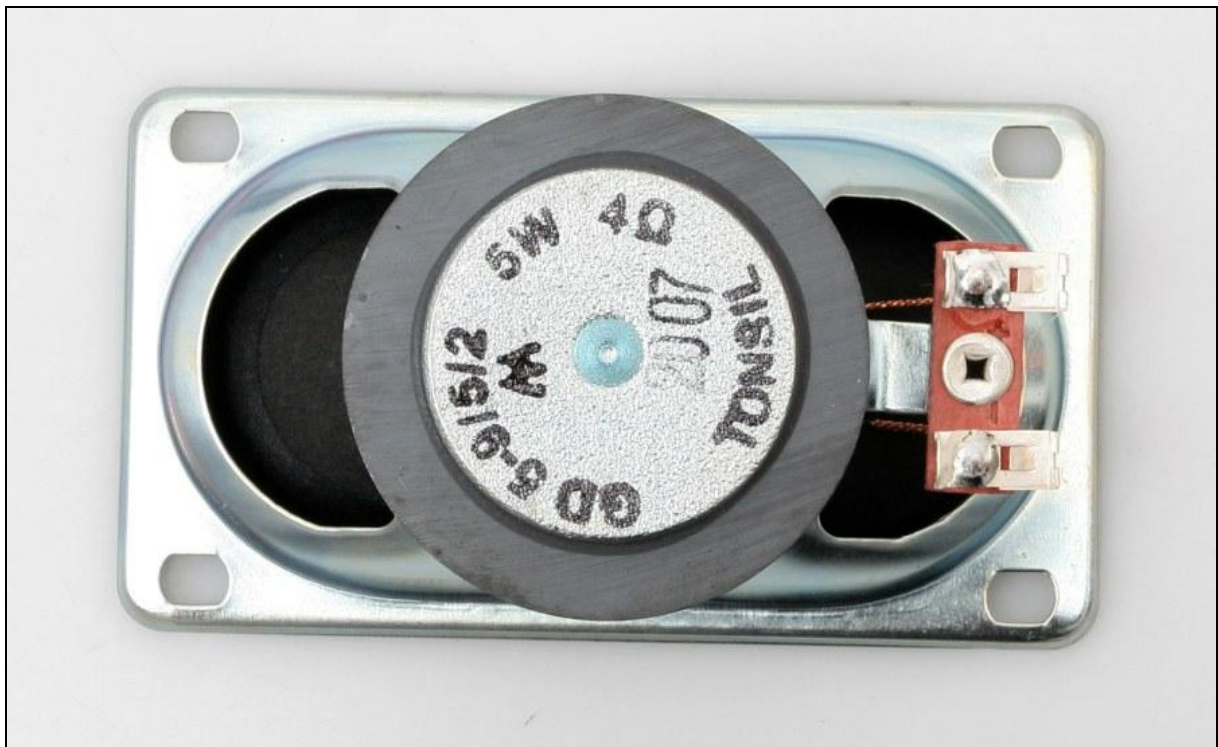
Cable length : 1700 mm (permanently attached to the speaker)
 Connector : 3,5 mm mono plug

II. ELECTRICAL SPECIFICATIONS

1. Speaker of Tonsil

Model GD 5-9/5/2

2. Pictures of Tonsil



Product Specification

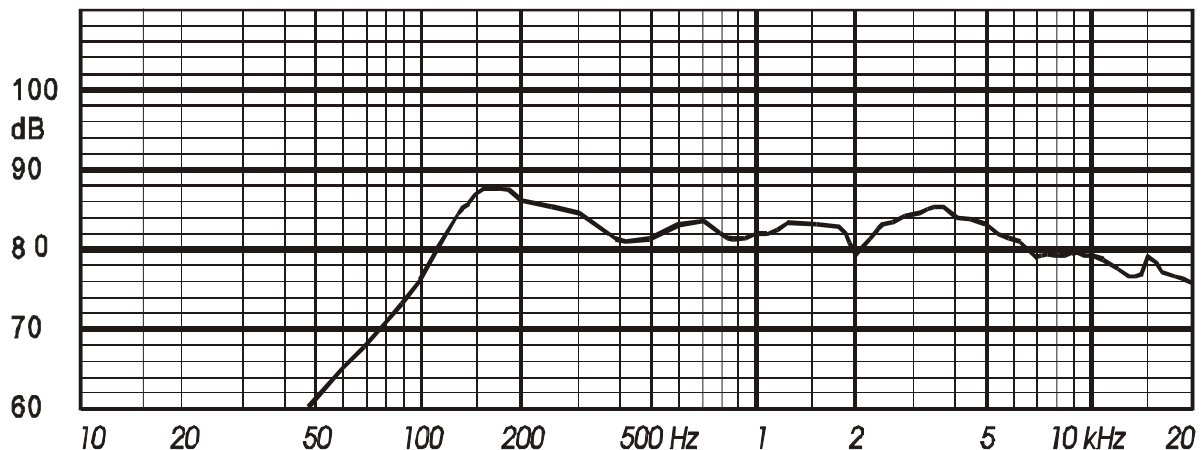
FB:F&E, Stand 09/2006, Rev.:01

3. Specification of Speaker Tonsil

Model Name GD 5-9/5/2		Customer's Parts No. 9 5111 042 04		Date: 22.06.2007.
No.	Item	Specification	Conditions	
1	Voice Coil Impedance	4 Ohm ± 0,4 Ohm	at 2 V ; 1 kHz	
2	Resonance Frequency	Fr 180 Hz ± 27 Hz	at 2 V ; IEC Baffle	
3	Effective Frequency Range	Fr ÷ 19 kHz	S.P.L. – 10 dB	
4	Sound Pressure Level	82 dB ± 2 dB	Average at 0,5;0,6;0,8;1 kHz at 2 V; 1m; IEC Baffle	
5	Input Power	Rated : 5 W Maximum : 7 W		
6	Distortion Factor	Maximum: 5%	at 700 Hz; 4,47 V; 1 m	
7	Flux	Flux Density 0,79 T		
8	Mechanical Drawing No.	9 5111 042 04		
9	Weight	0,14 kg		
10	Magnet	Ø 45 x Ø 22 x 8 mm		

Standard Frequency Response Curve

Measuring Distance 1 m
 Input Voltage 2 V
 Zero Level 60 dB
 IEC Baffle



Product Specification

FB:F&E, Stand 09/2006, Rev.:01

No	Item	Specification		
11	Buzz & Rattle Test	Must not be evident at sine wave 4,47 V		
12	Max. Input Power	IEC 268-1 Pink Noise. Power 7 W: 1 min. ON – 2 min. OFF, 10 cycle. Free space.	After the test speaker should be meet item 1;11	
13	Load Test	IEC 268-1 Pink Noise . Power 5 W. Normal temp. Time 100 h Free space.		
14	Heat Test	+55 ⁰ C±2 ⁰ C ; 8 h and left in a room temperature (1 h)	After the test speaker should be meet item 2;11	
15	Could Test	-25 ⁰ C±2 ⁰ C ; 8 h and left in a room temperature (1 h)		
16	Humidity Test	+40 ⁰ C±2 ⁰ C ; 93%±2% ; 96 h and left in a room temperature (1 h)		
17	Temperature Cycling Test	-25 ⁰ C (2h) ~ +70 ⁰ C (2h) 10 cycle		
18	Polarity	When a positive DC current is applied to the terminal marked „+”, the cone shall move away from pole piece.		
19	Packing Details	Pcs		
		Weight	kgs	
20	Thiele-Small Parameters	Q _{MS} 4,82	S _D 24,58 cm ²	V _{AS} 0,32 dm ³
		Q _{ES} 2,38	M _{MS} 1,3 g	Bl 1,67 Tm
		Q _{TS} 1,58	C _{MS} 0,371 mm/N	

Product Specification

FB:F&E, Stand 09/2006, Rev.:01

No	Part Name	Material	Finish. Color. Remarks
1	Frame	t 0,6 Steel	Fe/Zn (without Cr+6)
2	Bottom Yoke	t 3 Steel	Fe/Zn (without Cr+6)
3	Main Magnet	Ferrite	
4	Upper Plate	t 3 Steel	Fe/Zn (without Cr+6)
5	Terminal	Lug: t 0,4 Brass	Tin Plated
		Board: t 1,2 Fiber	
6	Edge	Cloth	Black
7	Cone	Pulp	Black
8	Dust Cap	Paper	Black
9	Damper	Cotton fabric	
10	Gasket		
11	Voice Coil	Bobbin: Nomex	
		Coil Wire: Ø 0,13	